

# UV665QF

## Features

- Full Bore, seat supported.
- Floating ball & Split body design.
- Blowout-proof stem.
- Anti-static devices for ball, stem, body.
- Bidirectional tightness.
- Fire safe design.
- Actuator mounting: ISO5211.

## Technical Data

Normal diameter:

NPS 1"~NPS 4".

Normal pressure rating:

ASME Class 600.

Material:

Body: Carbon Steel, Stainless Steel.

Ball: 316L + Cr<sub>3</sub>C<sub>2</sub> -NiCr

Seat: 316L + Cr<sub>3</sub>C<sub>2</sub> -NiCr

Temperature:

-29°C ... + 350°C .

## Design Standard

Design & manufacture:

ASME B16.34, API 6D.

Face to face dimensions:

ASME B16.10.

Connection ends: ASME B16.5.

Testing & inspection: API 598, API 6D.

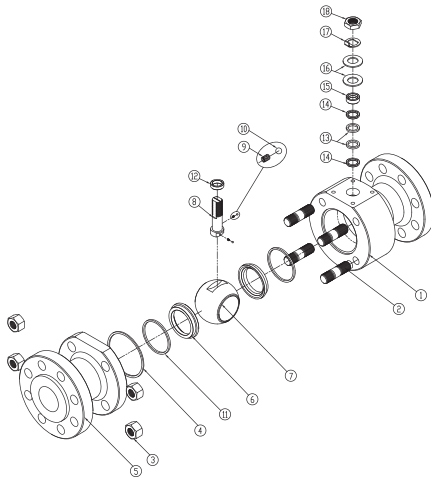
## METAL SEATED, FORGED, FLOATING, FULL BORE FLANGED BALL VALVE



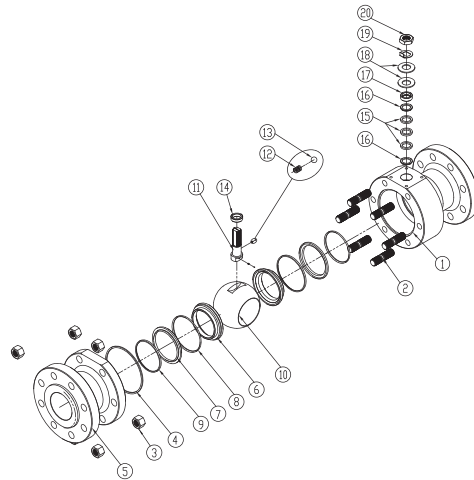
## Application

- Power generation.
- Oil, Gas (Natural gas) .
- Chemical industry.
- Metallurgy.
- Pharmaceutical.
- Paper making.
- Shipbuilding.
- Environmental protection.

## Structure and Material UV665QF



Size 1" – 2"/DN 25 – 50

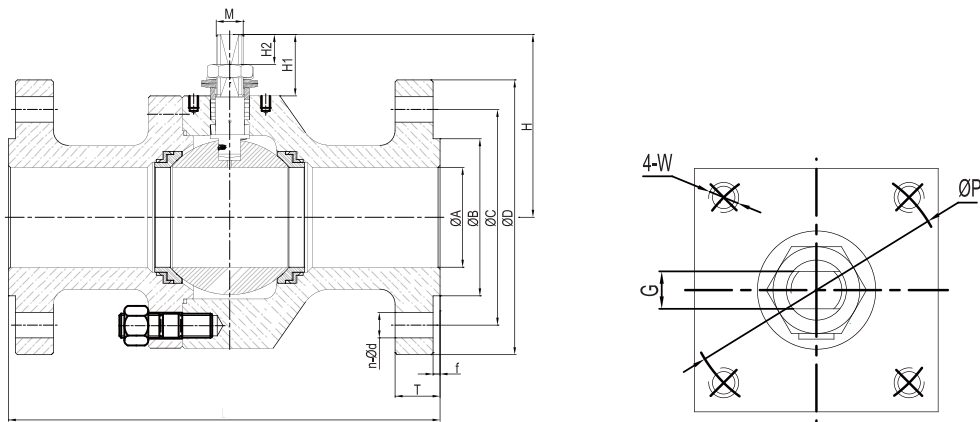


Size 3" – 4"/DN 80 – 100

Material Parts List 1"-2"			
No.	Part Description	Material	Qty
1	Body	ASTM A182 Gr. F316 / ASTM A105	1
2	Stud bolt	ASTM A193 Gr. B8M/ASTM A193 Gr. B7M	4
3	Nut	ASTM A194 Gr. 8M/ASTM A194 Gr. 2HM	4
4	Body Gasket	Graphite	1
5	Flange	ASTM A182 Gr. F316 / ASTM A105	1
6	Seat Ring	ASTM A276 316L + (Cr <sub>3</sub> C <sub>2</sub> -NiCr)	2
7	Ball	ASTM A276 316L + (Cr <sub>3</sub> C <sub>2</sub> -NiCr)	1
8	Stem	ASTM A564 630	1
9	Anti Static Spring	SS316	2
10	Anti Static Ball	SS316	2
11	Pressure ring	Graphite	2
12	Bearing	E-Carbon	1
13	Packing ring middle	Graphite	2
14	Thrust ring top & down	E-Carbon	2
15	Packing bushing	ASTM A276 316	1
16	Belleville wash	SS304	2
17	Lock Saddle	ASTM A240 304	1
18	Nut	ASTM A194 Gr. 8M	1

Material Parts List 3"-4"			
No.	Part Description	Material	Qty
1	Body	ASTM A182 Gr. F316 / ASTM A105	1
2	Stud bolt	ASTM A193 Gr. B8M/ASTM A193 Gr. B7M	6
3	Nut	ASTM A194 Gr. 8M/ASTM A194 Gr. 2HM	6
4	Body Gasket	Graphite	1
5	Flange	ASTM A182 Gr. F316 / ASTM A105	1
6	Seat Ring	ASTM A276 316L + (Cr <sub>3</sub> C <sub>2</sub> -NiCr)	2
7	Z-ring	ASTM A276 316	2
8	Upper pressure ring	Graphite	2
9	Down pressure ring	Graphite	2
10	Ball	ASTM A276 316L + (Cr <sub>3</sub> C <sub>2</sub> -NiCr)	1
11	Stem	ASTM A564 630	1
12	Anti Static Spring	SS316	2
13	Anti Static Ball	SS316	2
14	Bearing	E-Carbon	1
15	Packing ring middle	Graphite	3
16	Thrust ring top & down	E-Carbon	2
17	Packing bushing	ASTM A276 316	1
18	Belleville wash	SS304	2
19	Lock Saddle	ASTM A240 304	1
20	Nut	ASTM A194 Gr. 8M	1

## Dimensions



Size Inch	ASME 600Lb Dimensions in mm								
	L	ØA	ØB	ØC	ØD	H	n-Ød	T	f
1"	216	25	50.8	88.9	125	77	4-19	24.5	7
1-1/2"	241	38	73	114.3	155	96	4-22.5	29.5	7
2"	292	50	92.1	127	165	108	8-19	32.5	7
3"	356	80	127	168.3	210	149.5	8-22.5	39	7
4"	432	100	157.2	215.9	275	183	8-25.5	45	7

## Actuators

Univals offers a full line of integrally designed actuators for automated systems or for easier control of Inaccessible or remove valves. Pneumatic actuators which include double-acting and spring-return piston

Size Inch	Dimensions for Mounting Pad in mm					
	G	W	ØP	M	H1	H2
1"	9	M6	50	14	31.5	10
1-1/2"	11	M8	70	16	33.5	17.5
2"	14	M8	70	18	38.5	17.5
3"	17	M10	102	22	50	24
4"	20	M10	102	27	61.5	30

## How to Order

**Example :**

**665QF01ABHSG**

<b>1.</b>	<b>2.</b>	<b>3.</b>	<b>4.</b>	<b>5.</b>	<b>6.</b>	<b>7.</b>
665QF	01	A	B	H	S	G

<b>1.</b>	<b>TYPE</b>		
	665QF		
<b>2.</b>	<b>Valve Size</b>		
01	1" (25mm)	03	3" (80mm)
02	2" (50mm)	04	4" (100mm)
<b>3.</b>	<b>Pressure Rating</b>		
A	ANSI 600		
<b>4.</b>	<b>Body Material</b>		
B	WCB	S	CF8M
Y	Others consult with factory		
<b>5.</b>	<b>Ball Material + Coating</b>		
H	ASTM A276 316L+ Cr <sub>3</sub> C <sub>2</sub> -NiCr		
<b>6.</b>	<b>Seat Ring</b>		
S	ASTM A276 316L+ Cr <sub>3</sub> C <sub>2</sub> -NiCr		
<b>7.</b>	<b>Packing</b>		
G	Graphite		

### Univals Singapore

1 Kaki Bukit Road 1, #02-12/13 Enterprise One, Singapore 415934

Tel: +65 6580 8388 Fax: +65 6580 8399

### Univals China

No.393, XinGe Road, SongJiang District, Shanghai 201612 PR China

Tel: +86 21-6767 6678 Fax: +86 21-6767 6628

<http://www.univals.com>

Univals have rights to change the design and specification of products without prior notification